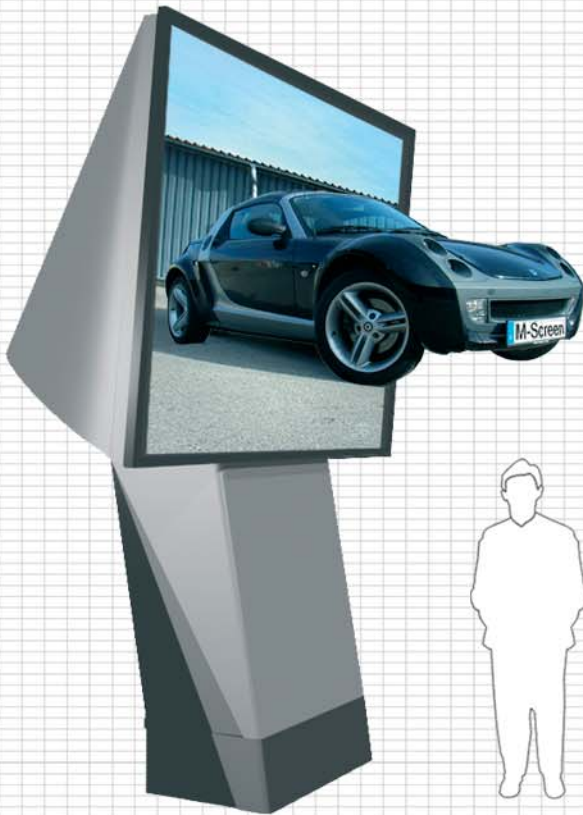


ScreenTower 125 3D

Mobile 3D rear projection system for the presentation of 3D data- and video content



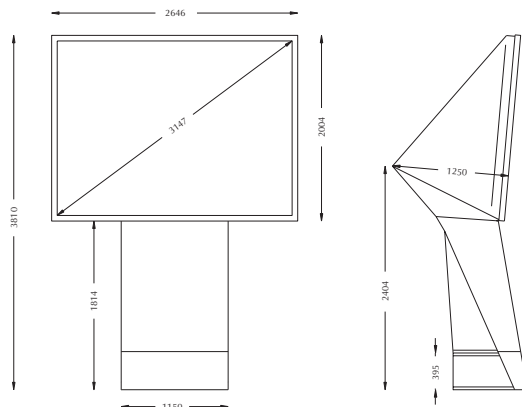
- integrated, high-resolution 3-Chip DLP tandem projection unit with 14.000 Ansi lumens
- immersive 3D impression also in bright areas
- excellent contrast
- mobile, simple and fast assembling and dismantling



By the integration of a high end 3-Chip DLP projectionsystem with 14.000 Ansi lumens all usual 3D systems can be used for the presentation of 3D contents. Designed for the presentation in front of large audience, the system in the passive-stereo modus also allows the use of cheaper 3D eye-glasses.



The high SXGA + resolution of the DLP projectors enable the rendition of almost every SD-video, HD-video and data formats. The content can be entered by means of temporally synchronized dual sources or with signalconversion also by temporally sequential mono sources.



dimensions in millimeter

- screendiagonale: 3,15 m
- dimensions (hwxwd): 3,41 x 2,65 x 1,38 m
- heightening pedestal: + 0,40 m
- brightness: approx. 2000 cd (nonpolarized) (approx. 1000 cd, linear-polarized)
- standardequipment: 2 x 3-chip DLP-Projector, SXGA+ (1400 x 1050 pixels), 14.000 Ansi-Lumen
- optional: Klima, Soundsystem, heightening pedestal

Copyright:
MEDIASCREEN
FERNKOMMUNIKATION GMBH

All technical specifications are subject to change without notice

MediaScreen GmbH
Tel.: +49 89 69 79 94 60

Tegernseer Landstr. 161
Fax: +49 89 69 79 94 70

D-81539 München
Email: info@mediascreen.de